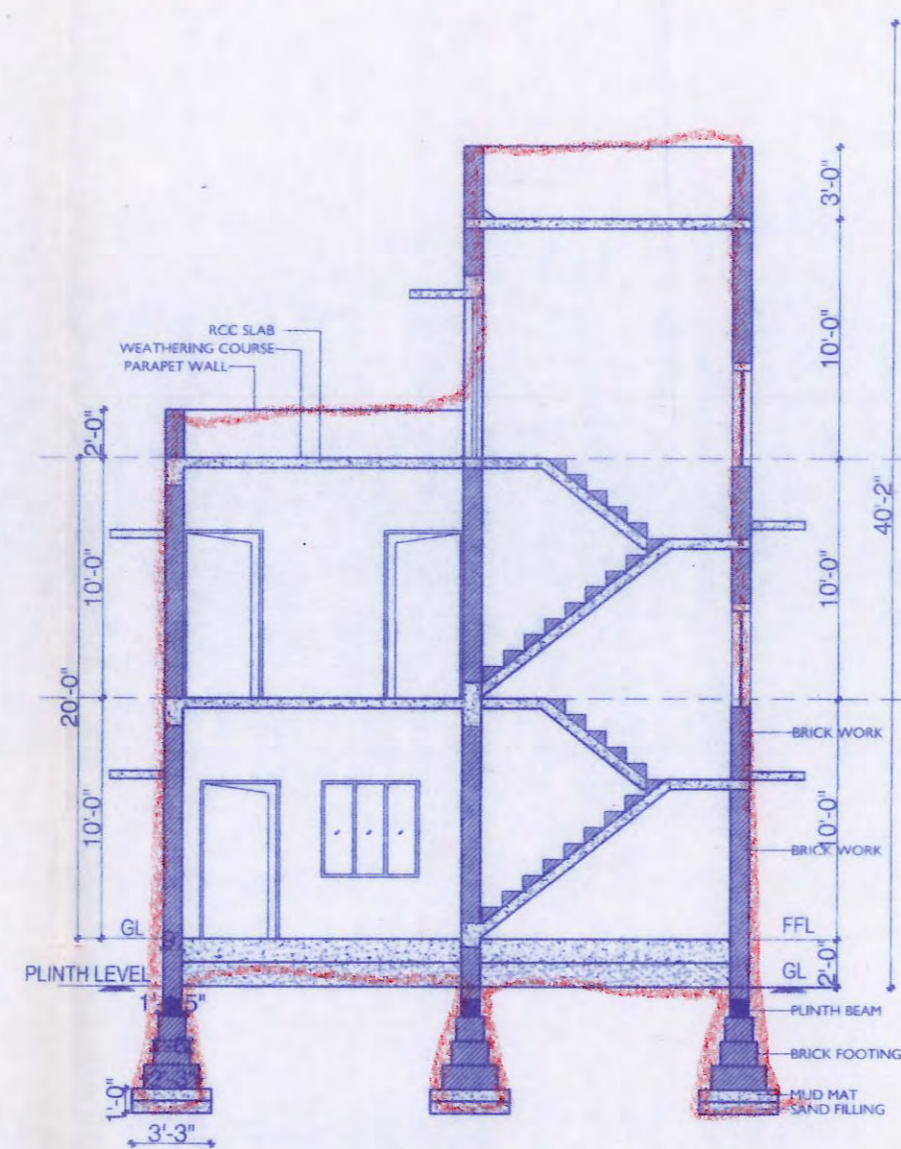
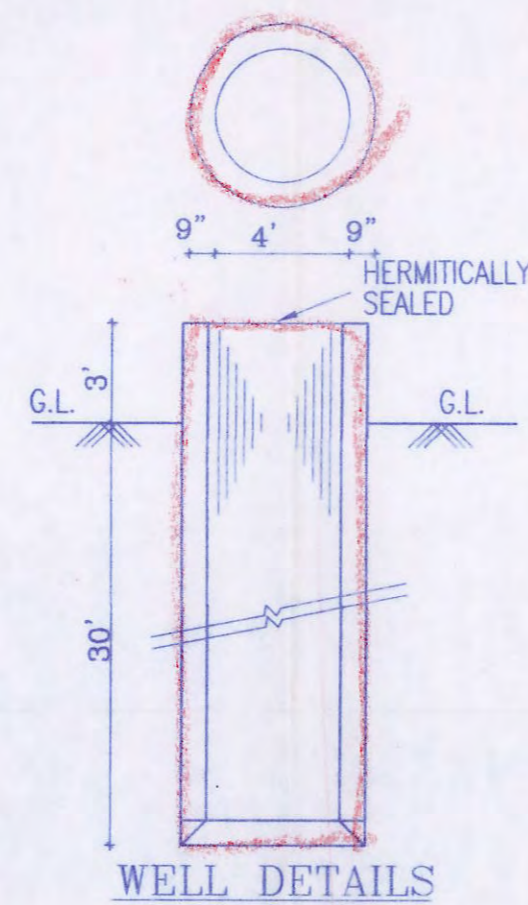


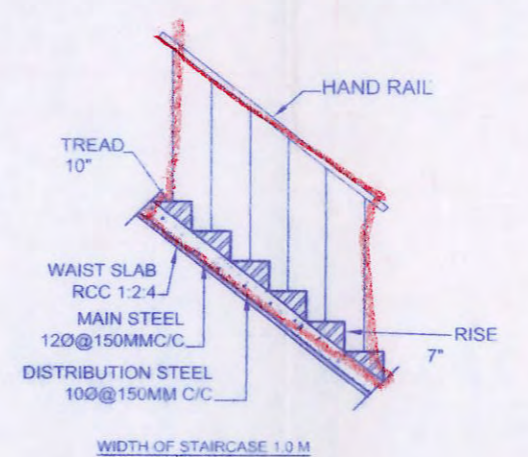
FRONT ELEVATION



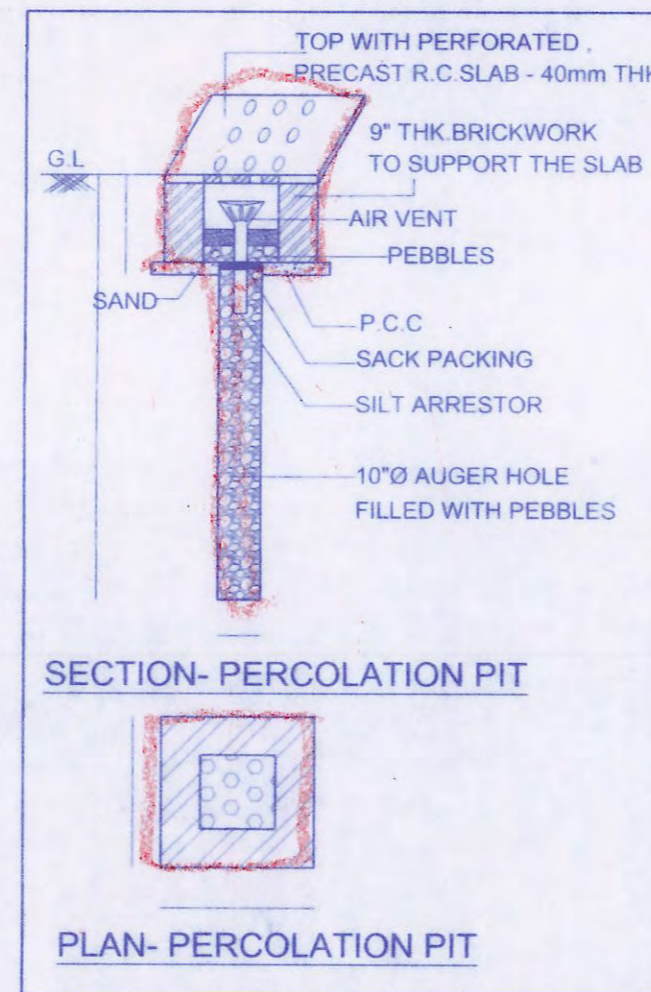
SECTION A-A



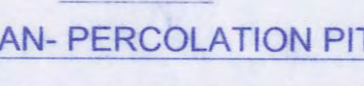
WELL DETAILS



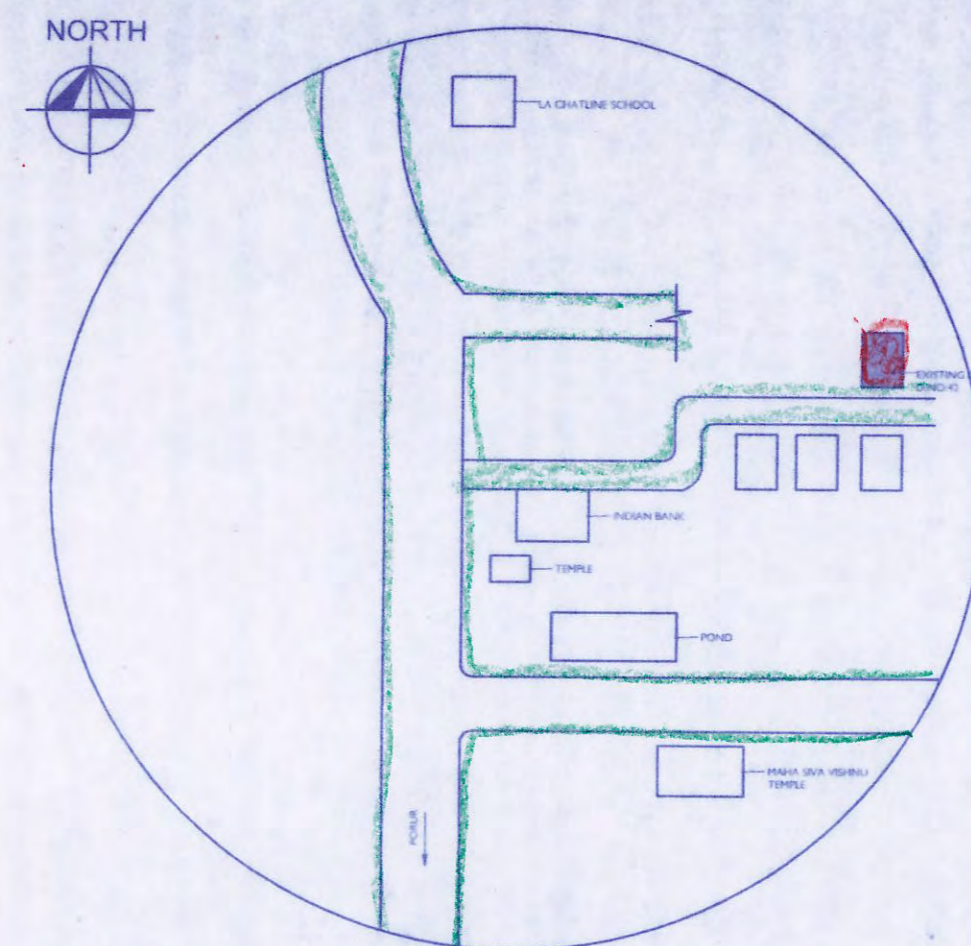
STAIR CASE DETAILS
SCALE 1:300



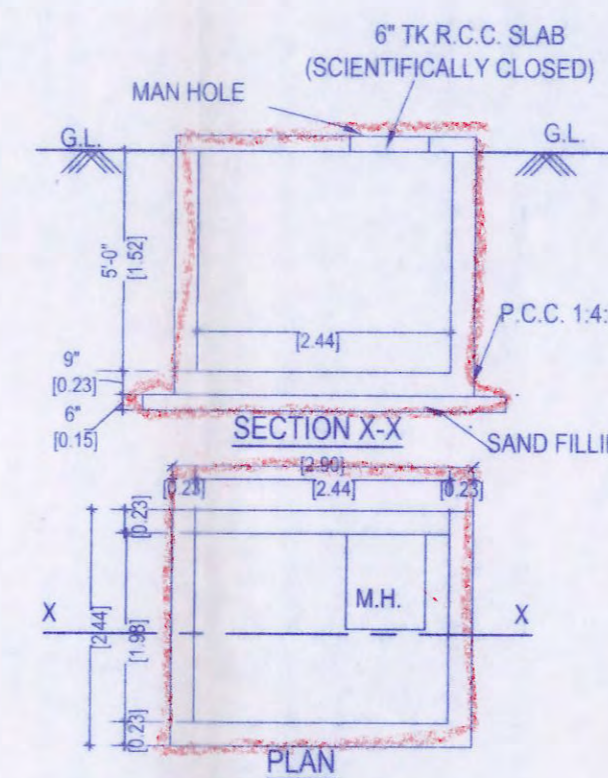
SECTION-PERCOLATION PIT



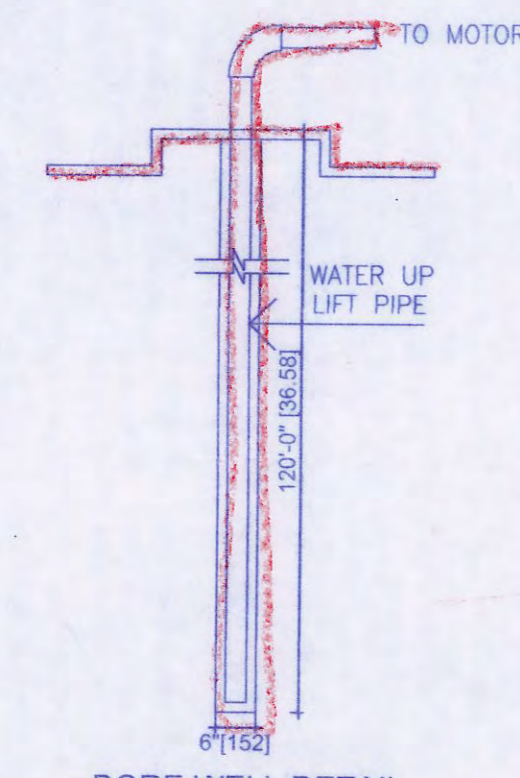
PLAN-PERCOLATION PIT



KEY PLAN
(NOT TO SCALE)



DETAILS OF SUMP
(SCIENTIFICALLY CLOSED)
1. Drinking Water sump
2. Rain Water Harvesting
3. Treated sullage water



BORE WELL DETAIL
(NOT TO SCALE)

PLAN SHOWING THE REGULARIZATION
(UNDER REGULARIZATION SCHEME 1999)
DUPLEX SINGLE DWELLING UNIT OF
GROUND, FIRST, SECOND FLOOR (PART)
RESIDENTIAL BUILDING AT PLOT NO 42,
KARAIKKALAMMYAR 1ST CROSS ST,
INDIRA NAGAR, VALASARAVAKKAM,
CHENNAI - 87. PRESENT S.No.181/2,
VALASARAVAKKAM VILLAGE,
MADURAVAYAL TALUK
GREATER CORPORATION OF CHENNAI.
CORPORATION DIVISION No. 152,ZONE No.XI

AREA DETAIL :	SQ.FT.	SQ.MT.
PLOT AREA	-- 2071.00	192.40
GROUND FLOOR	-- 1206.50	112.08
FIRST FLOOR	-- 1086.50	100.93
SECOND FLOOR	-- 336.00	31.22
TOTAL AREA	-- 2629.00	244.23

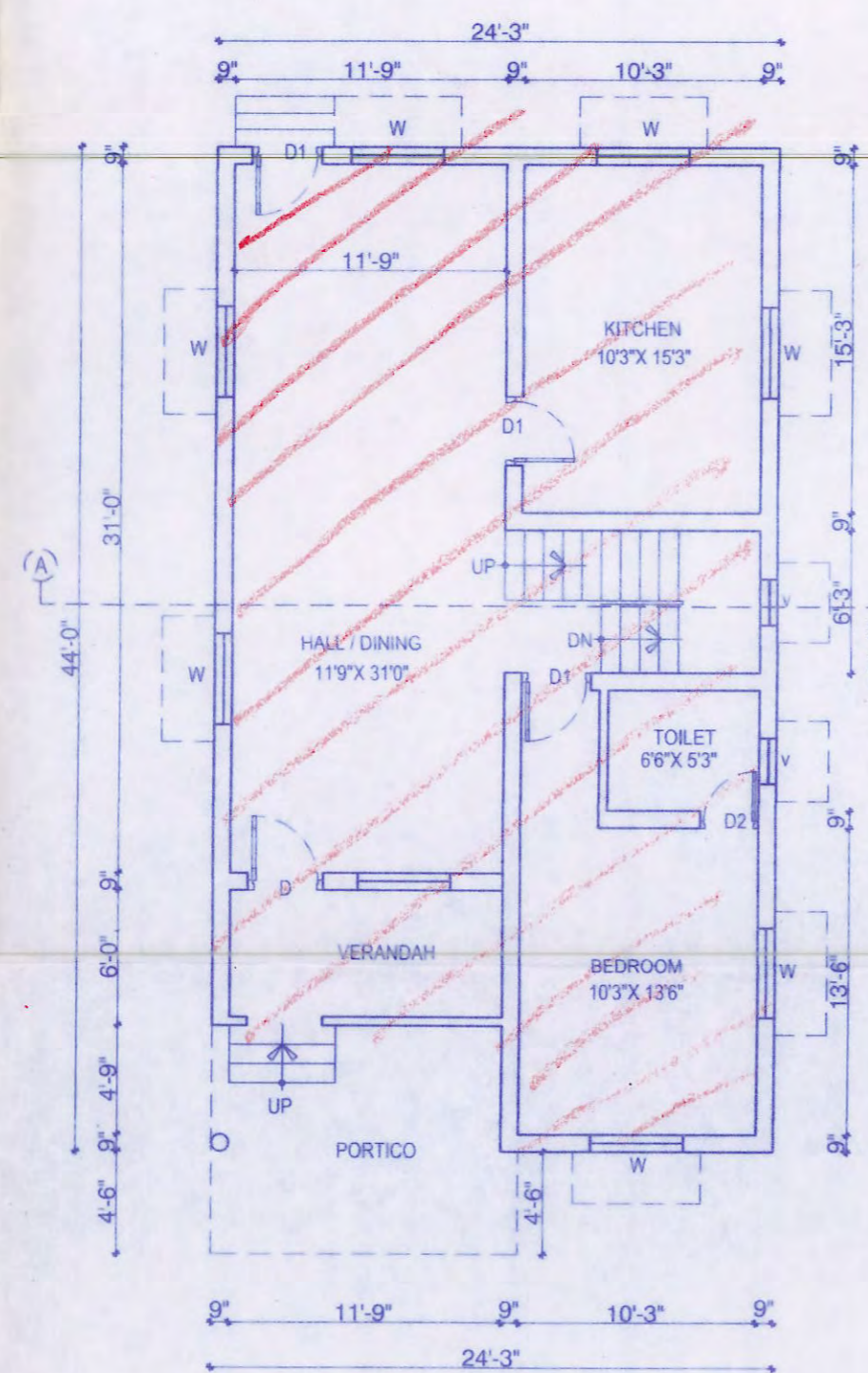
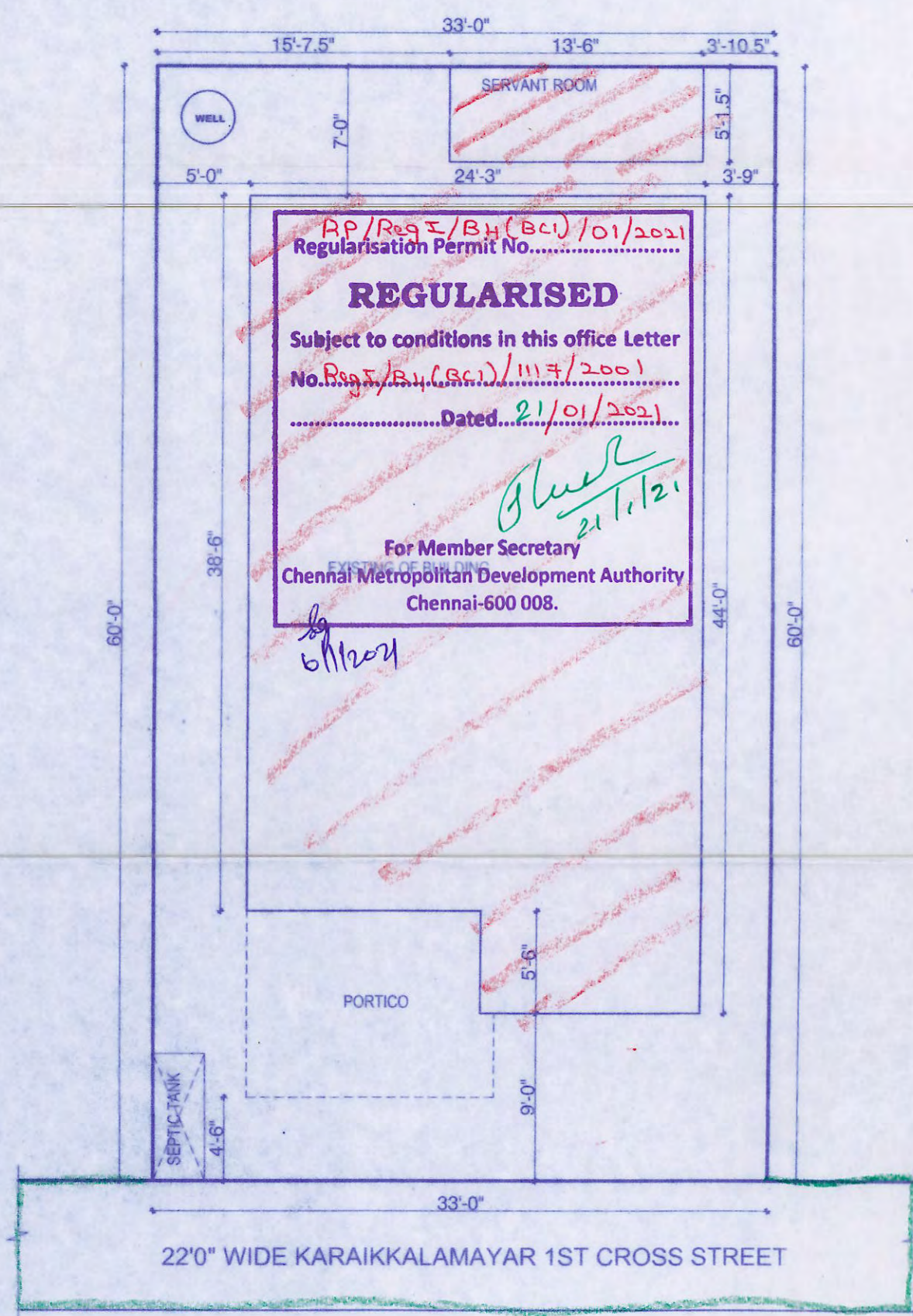
PORCH -- ONE CAR SPACE
PLOT COVERAGE -- 58.25%
F.S.I -- 1.269

SPECIFICATION :

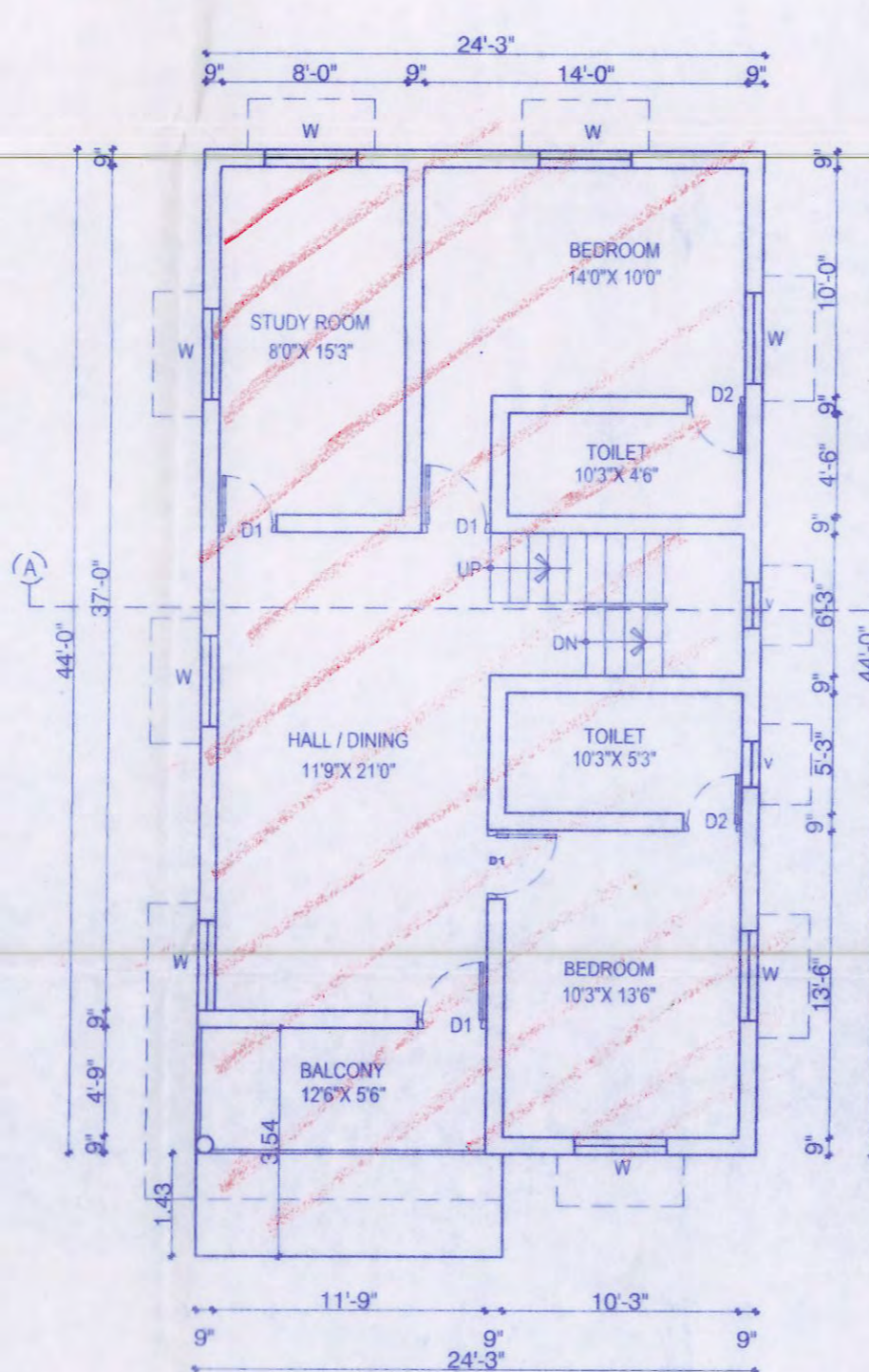
- * COLUMN FOOTING FOUNDATION LAID OVER THE SAND FILLING AND P.C.C. 1:4:8 MAT.
- * ALL COLUMNS ARE CONNECTED WITH PLINTHBEAM AND ROOFBEAM.
- * P.C.C. 1:4:8 LAID OVER THE SAND FILLING FOR MOSAIC FLOORING.
- * BRICKWORK IN BASEMENT AND SUPERSTRUCTURE WITH C.M.1:5 MIX.
- * R.C.C. 1:2:4 MIXED LITEL LAID OVER THE DOORS, WINDOWS AND OPENINGS.
- * ALL WALLS AND CELINGS ARE PLASTERED WITH C.M 1:5 MIX.
- * JOINERY ARE MADE IN STEEL ARE FIRST CLASS TEAK WOOD.
- * ROOF COVERED BY R.C.C. 1:2:4 MIXED FLAT SLAB.
- * PARAPET WALL LAID ALL OVER THE BUILDING.
- * WEATHERING COURSE LAID IN PROPER MIX AND SLOPE WITH WATER PROOFING COMPOUND.

SCHEDULE OF JOINERY : (FT.)

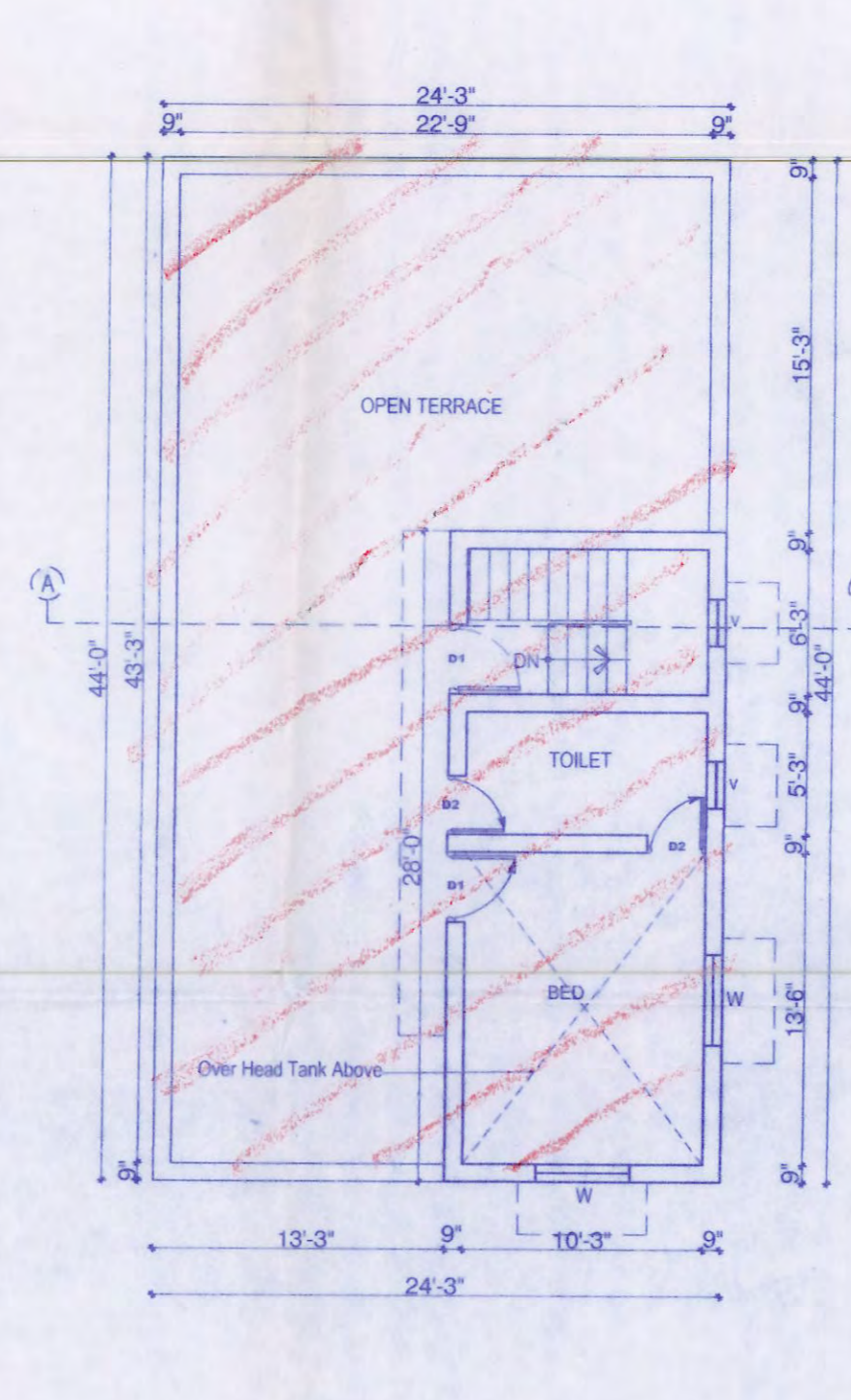
D	DOOR	3'3" x 7'0"
D1	DOOR	3'0" x 7'0"
D2	DOOR	2'6" x 7'0"
W	WINDOW	4'0" x 4'0"
V	VENTILATOR	2'0" x 2'0"



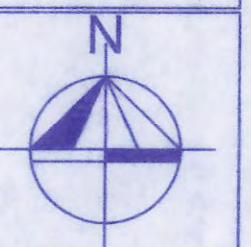
GROUND FLOOR PLAN



FIRST FLOOR PLAN



SECOND FLOOR PLAN



SCALE : 1" = 6'-0"

DATE :

OWNERS / DEVELOPERS :

M. Aruna Manoharan
M. ARUNA MANOHARAN
D/O P.SUJATHAMMA

ARCHITECT / LICENSED SURVEYOR :

R. NAGARAJAN, (P.E. CIVIL Eng)
Registered Engineer / Grade-1
CMDA Registration No. 52/2019/04/103
No. 81, Labour Colony, Kat Street,
Palikarasi, Chennai-600 100.
Email: nspnraj_eebros@mail.com
Mobile: 98410-46674